

TOTO

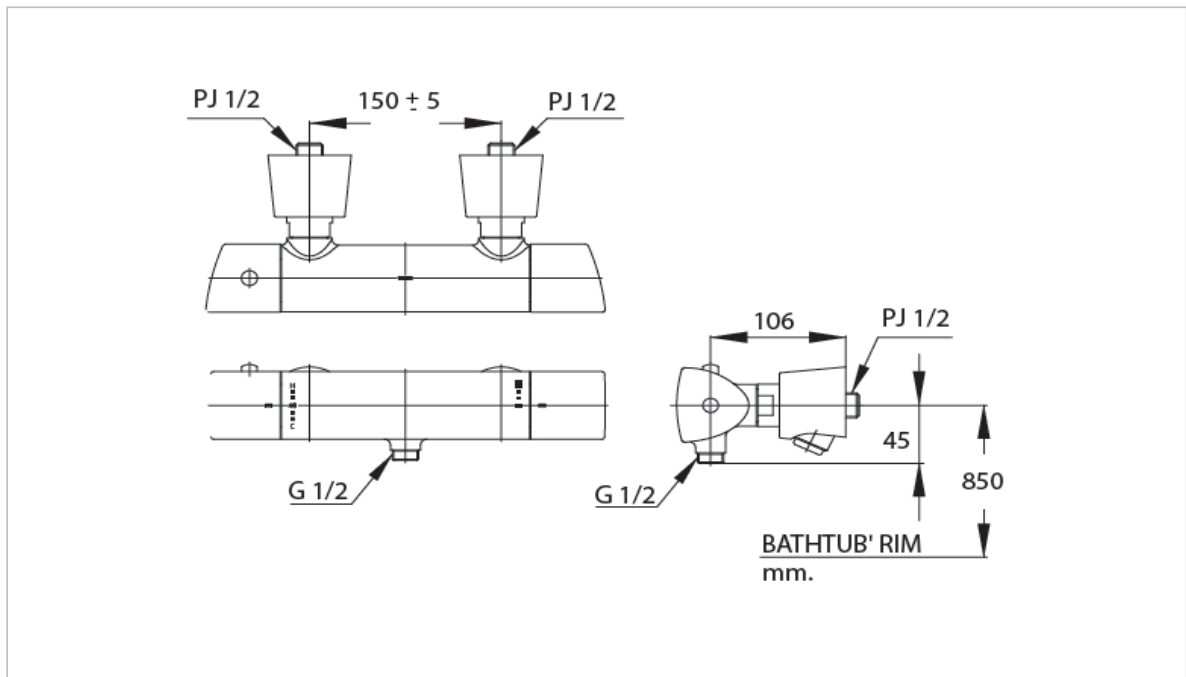
FAUCET&SHOWER

TS245A

"Bellini" Thermostat Exposed Hand Shower

Product Features

TS245A 
Thermostat Exposed Hand Shower



Suggestion Fittings & Parts

Remark : We reserve the right to change some parts for suitability.

SIAM SANITARY WARE INDUSTRY CO.,LTD
33/11 Viphavadee Rangsit Rd., SeeKan, Don Muang, Bangkok 10210
Tel : 0-29735040-54 , 0-25511818-21 Fax : 0-29733471

TOTO LTD. BANGKOK REPRESENTATIVE OFFICE
G & 7 FL., Q HOUSE PLOENJIT BUILDING,
598 PLOENCHIT RD., LUMPINI, PATHUMWAN, BANGKOK 10330
Tel : +(66)2-650-9925(AUTO) Fax : +(66)2-650-9923-4
www.totobkk.com