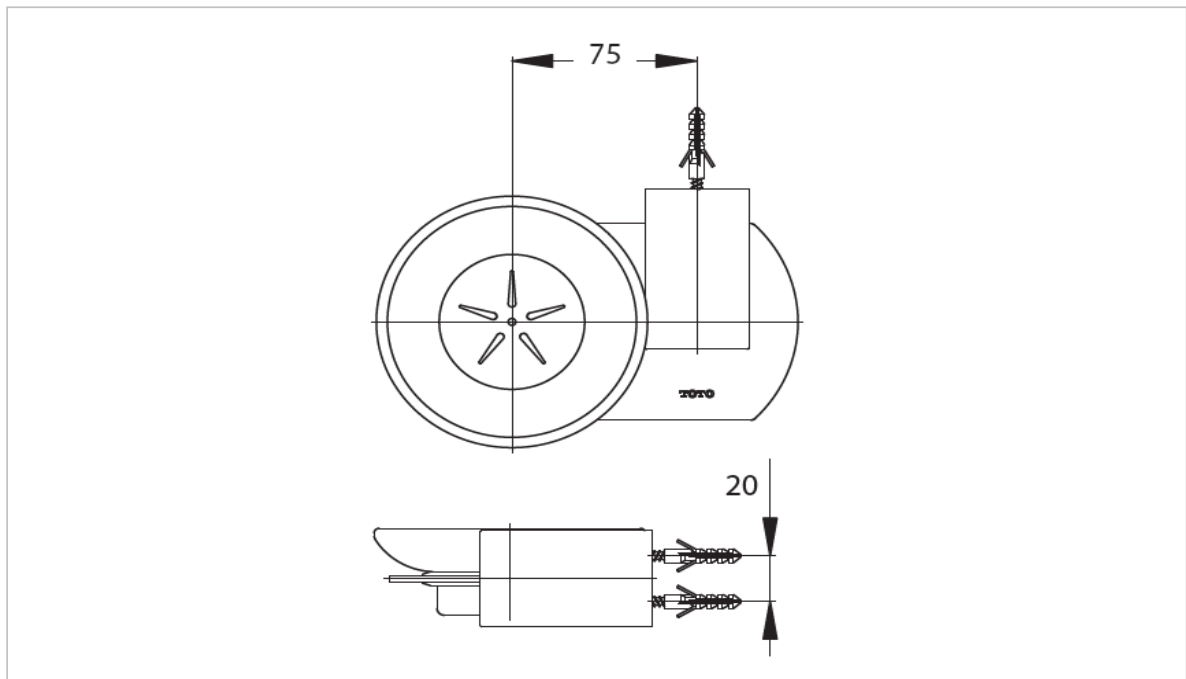


"Tajima" Soap Holder

Product Features



Suggestion Fittings & Parts

Remark : We reserve the right to change some parts for suitability.

SIAM SANITARY WARE INDUSTRY CO.,LTD
33/11 Viphavadee Rangsit Rd., Seekan, Don Muang, Bangkok 10210
Tel : 0-29735040-54 , 0-25511818-21 Fax : 0-29733471

TOTO LTD. BANGKOK REPRESENTATIVE OFFICE
G & 7 FL.,Q HOUSE PLOENJIT BUILDING,
598 PLOENCHIT RD.,LUMPINI, PATHUMWAN, BANGKOK 10330
Tel : +(66)2-650-9925(AUTO) Fax : +(66)2-650-9923-4
www.totobkk.com