

Item number: **TTWR103K REI-S Series**



## Features

- Sharp-lined smart design exclusively for REI- Square series
- Durable finishes

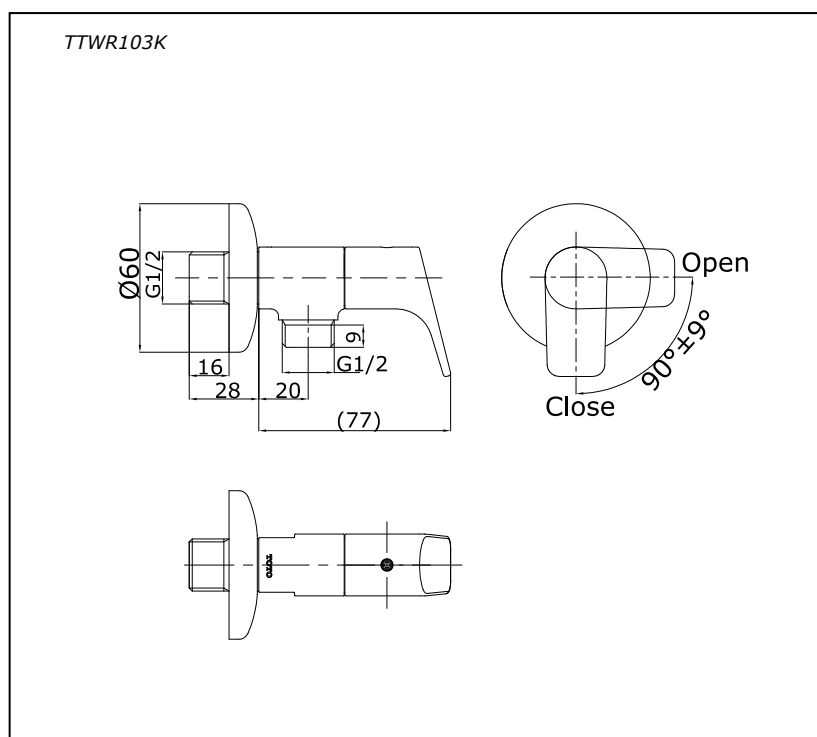
## Specifications

Water Pressure : 0.05MPa - 0.75MPa  
 Hole : 1 Hole  
 Finish : Nickel Chrome  
 Material : Brass  
 Flow Rate : >12L/min @0.3 Mpa.  
 (Bath Side)

## Parts description

- **TTWR103K**  
Stop Valve

## Drawing:



### Remarks:

Please result TOTO sales representative for detail.